

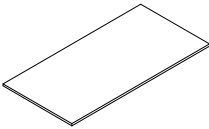
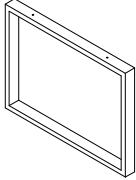
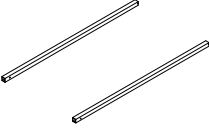
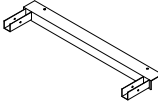
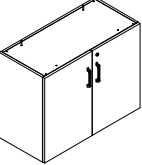
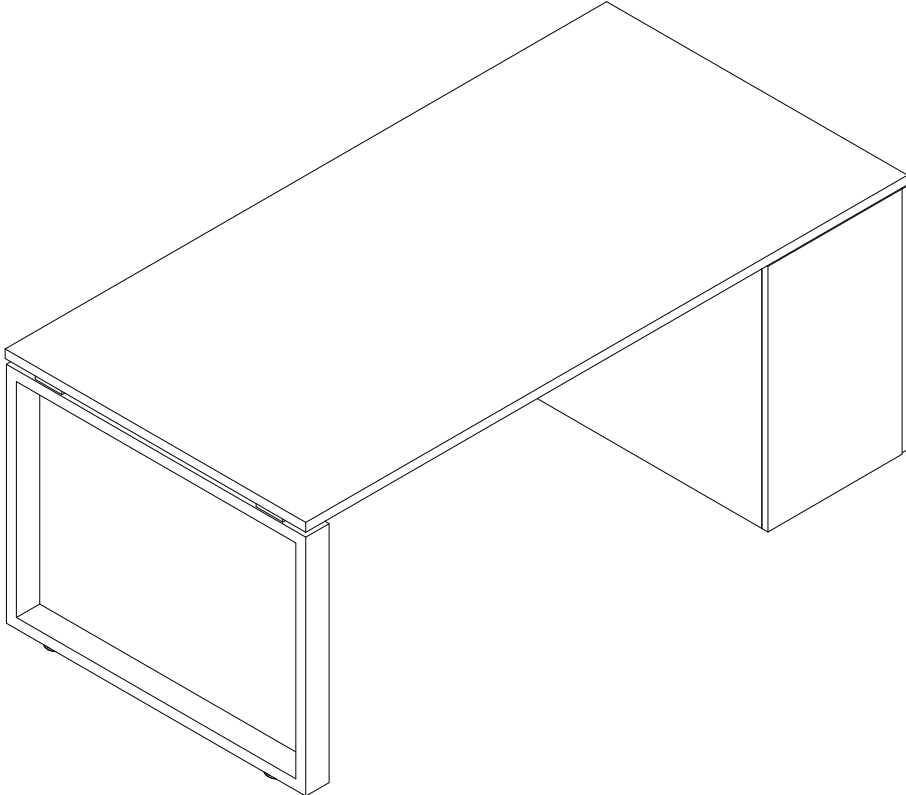
Ferramenta Hardware	Componenti Components	Piano (A) Top (A)		Gamba (B) Leg (B)	Travi (C) Crossbars (C)	Elemento di giunzione (D) Junction element (D)		
Chiave esagonale Hexagonal key	n°1							
Basetta (F) Hinge base (F)	n°4							
Cerniere (G) Hinges (G)	n°4							
Viti (H) Screws (H)	n°10	Piedini diam. 35 (P) Feet diam. 35 (P)	n°2				Bullone 6x60 (Z) Bolt 6x60 (Z)	n°2
Barilotto 14x14 (I) Barrel 14x14 (I)	n°8	Rondella sp.16 (Q) Washer sp.16 (Q)	n°4				Spine 8x30 (&) Wooden pin 8x30 (&)	n°22
Tirante 7x33.5 (J) Tie-rod 7x33.5 (J)	n°8	Dado 6 MA (S) Nut 6 MA (S)	n°4				Reggipiano (#) Shelf support (#)	n°4
Grano 8x8(K) Threaded screw 8x8 (K)	n°8	Bullone 6x16 (T) Bolt 6x16 (T)	n°4				Serratura (@) Lock (@)	n°1
Maniglia (L) Handle (L)	n°2	Bullone 6x20 (U) Bolt 6x20 (U)	n°12					
Bullone 4x25 (M) Bolt 4x25 (M)	n°4	Bullone 6x45 (V) Bolt 6x45 (V)	n°4					
Distanziale (N) Spacer (N)	n°2	Bullone 6x30 (X) Bolt 6x30 (X)	n°4					
Paracolpo (O) Strut (O)	n°4	Piedini diam. 25 (Y) Feet diam. 25 (Y)	n°4					

Fig.1 Unire fianco e base con spine (&), tiranti (J).
 Fig.1 Unite the side and base by means of the wooden pins (&) and tie-rods (J)

1) Inserire i piedini (Y) e le spine (&) nella base.
 1) Insert the feet (Y) and wooden pins (&) in the base.

2) Inserire i fianchi alla base tramite le spine (&), tiranti (J) e barilotti (I).
 2) Insert the sides in the base by means of the wooden pins (&), tie-rods (J) and barrels (I).

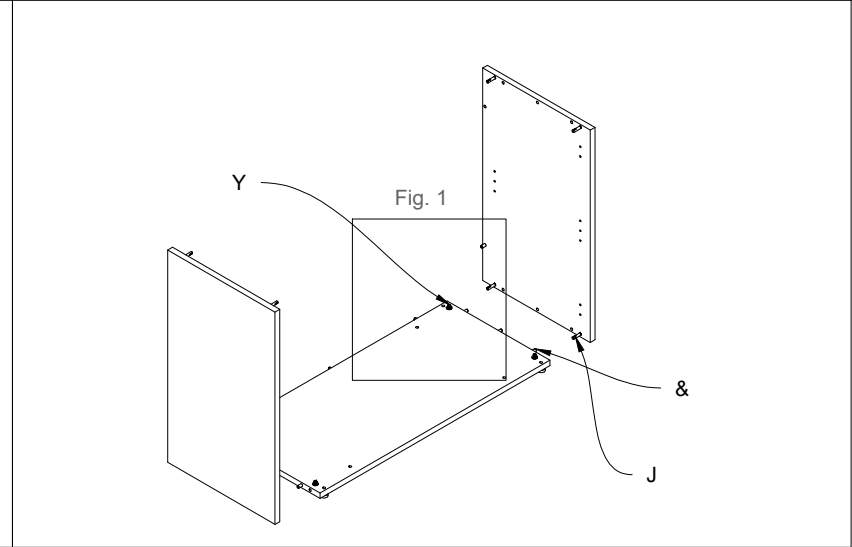
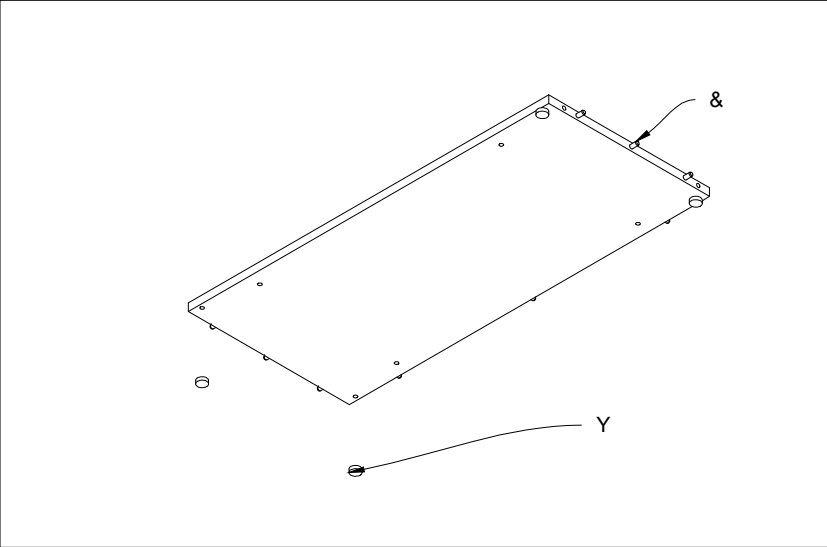
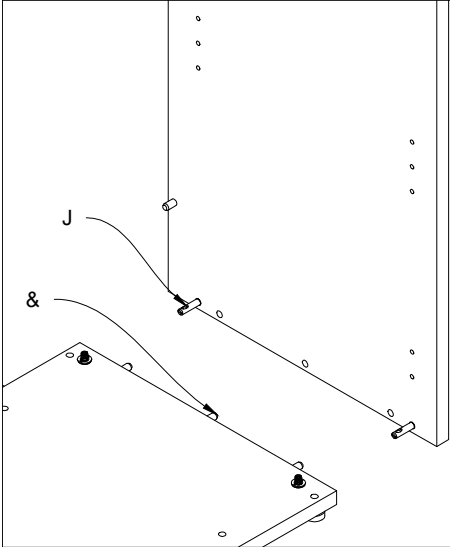


Fig.2 Unire il cappello con i fianchi e il retro tramite le spine (&) e i tiranti (J).
 Fig.2 Unite the top to the sides and back panel by means of the wooden pins (&) and tie-rods (J).

3) Inserire il retro nei fianchi e nella base tramite le spine (&).
 3) Insert the back panel in the sides and base by means of the wooden pins (&)

4) Inserire il cappello, e unirlo al retro e ai fianchi tramite spine (&) e tiranti (J).
 4) Insert the top, unite it to the back panel and sides by means of the wooden pins (&) and tie-rods (J).

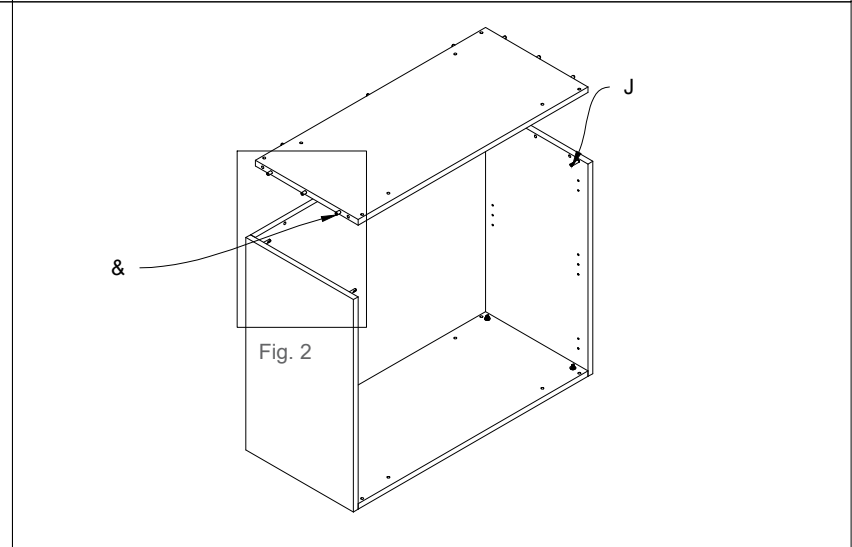
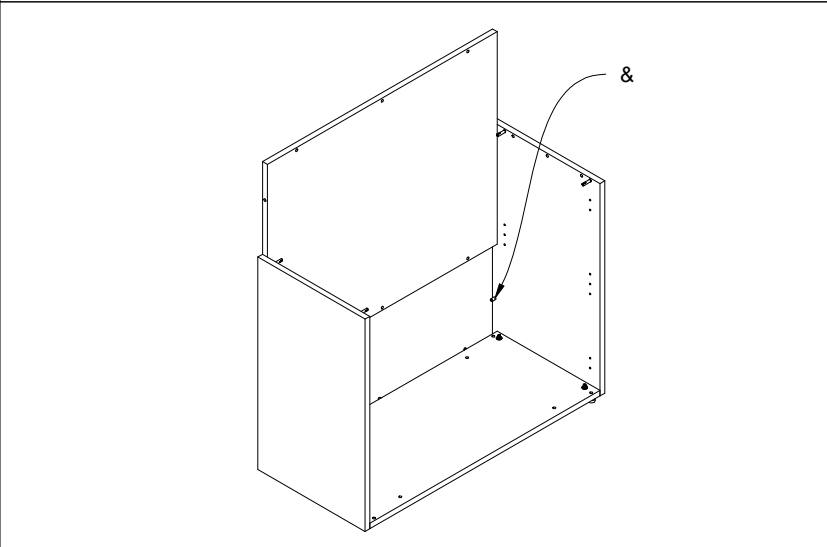
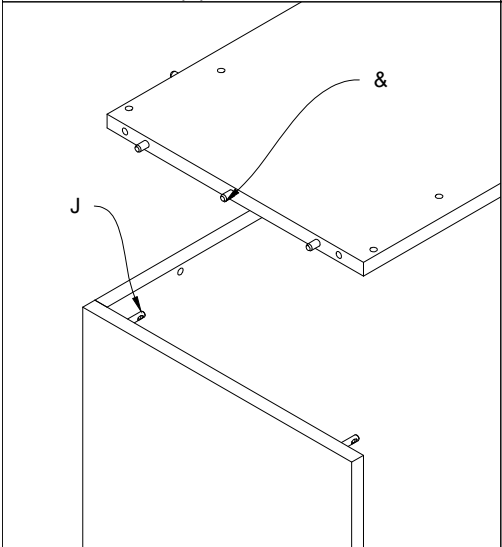


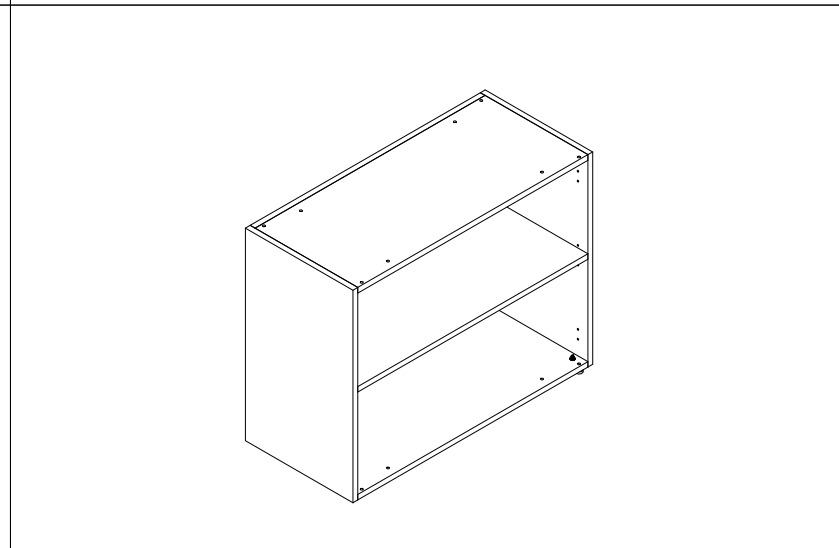
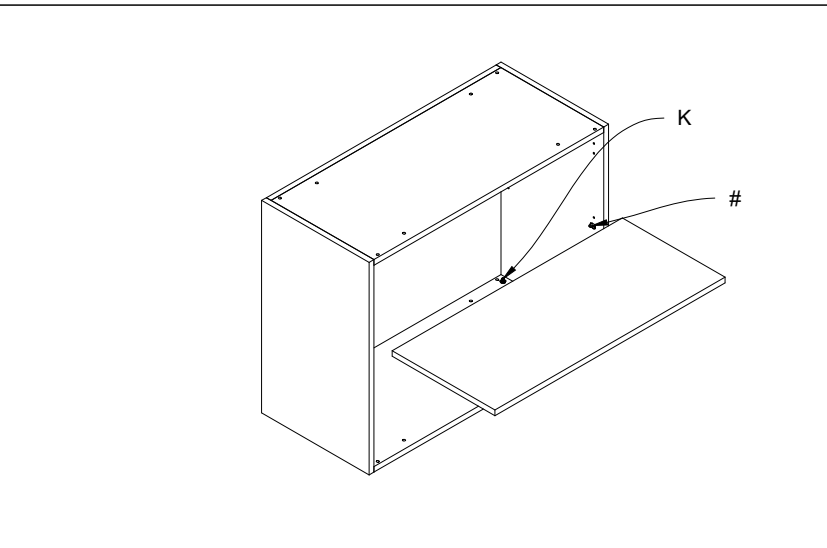
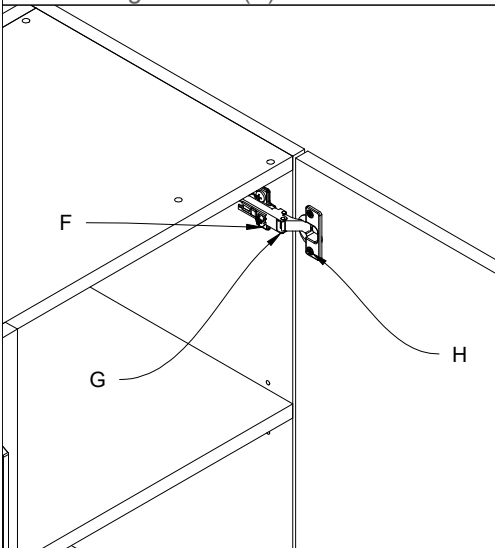
Fig.1 Fissare le cerniere (G) all'anta tramite le viti (H) e unirle alle basette (F).
 Fig.1 Fasten the hinges (G) to the door by means of the screws (H), unite them to the hinge bases (F).

5) Inserire il ripano con i reggipiani (#) e serrare i grani (K).

5) Insert the shelf by means of the shelf supports (#) and tighten the threaded screws (K).

Mobile portante senza ante trasversale.

Structural furniture unit without transverse doors



6) Fissare l'anta tramite le basette (F) e le cerniere (G) e inserire la maniglia (L) e la serratura (@) tramite i bulloni (M).
 6) Fasten the door by means of the hinge bases (F) and hinges (G), insert the handle (L) and lock (@) by means of the bolts (M).

7) Unire l'elemento di giunzione (D) al mobile (E) tramite i bulloni (X).
 7) Unite the junction element (D) to the furniture unit (E) by means of the bolts (X).

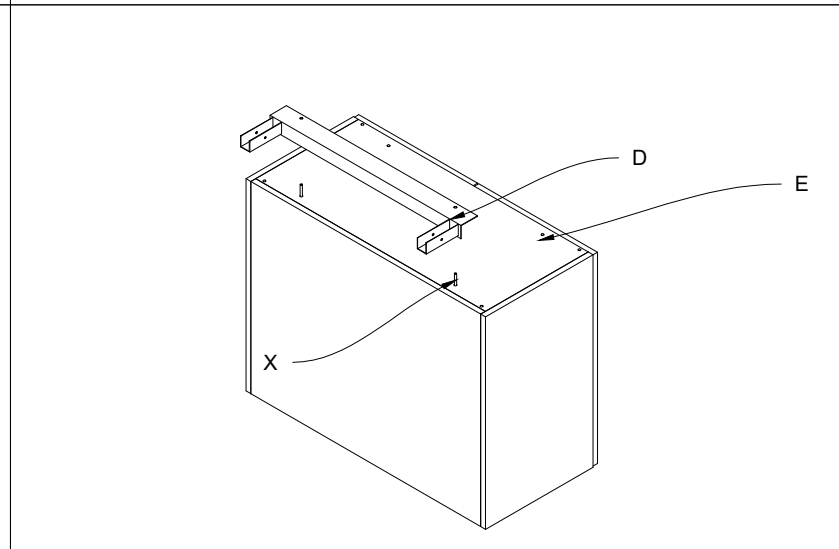
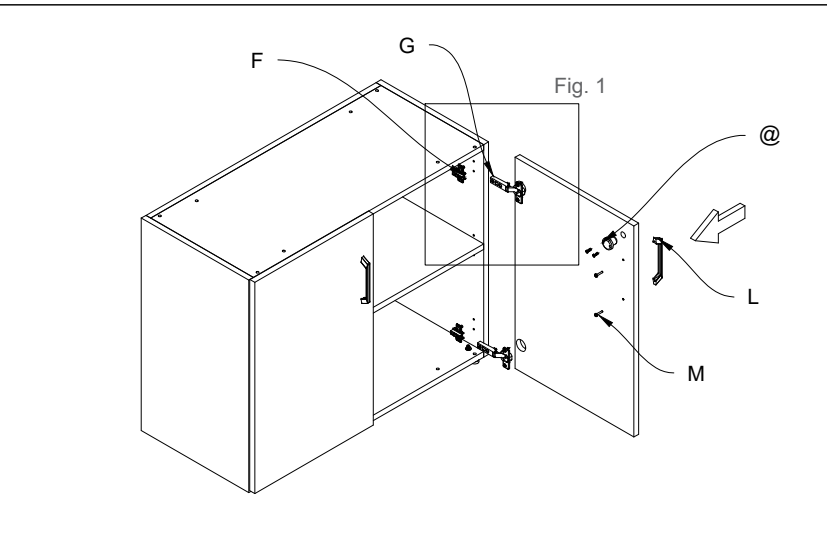
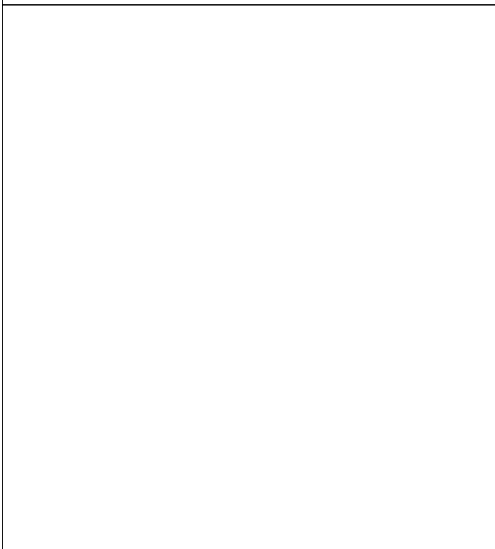


Fig.1 Fissare i distanziali (N) nella gamba (B) tramite i bulloni (U).
Fig.1 Fasten the spacers (N) in the leg (B) by means of the bolts (U).

8) Posizionare i distanziali (N) e i piedini (P), nelle gambe (B).
8) Position the spacers (N) and the feet (P) in the legs (B)

9) Unire le travi (C) con il mobile (E) la gamba (B) tramite i distanziali (N) e l'elemento di giunzione (D) e inserire i paracolpi (O).
9) Unite the crossbars (C) with the furniture unit (E) to the leg (B) by means of the spacers (N) and the junction element (D), insert the struts (O)

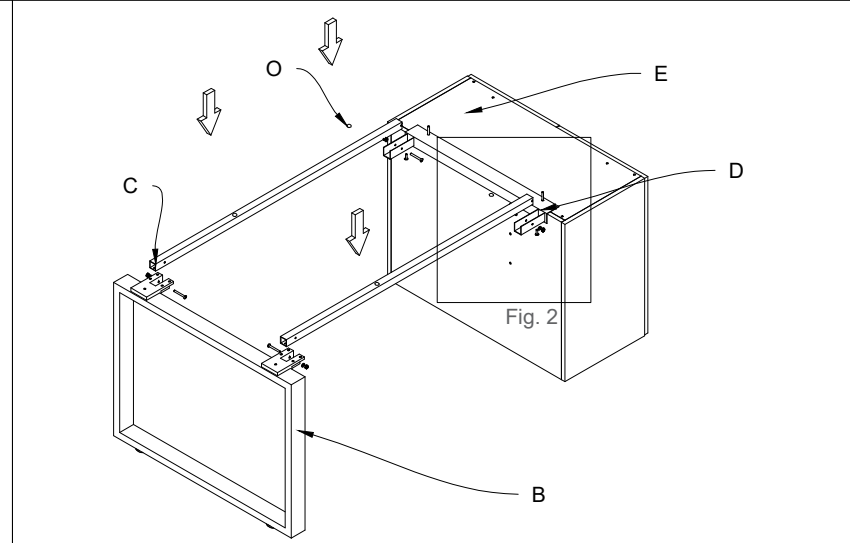
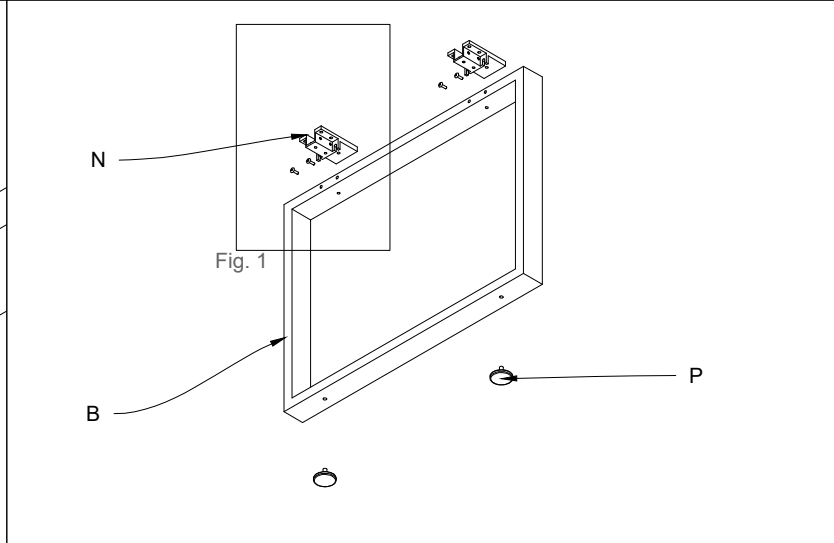
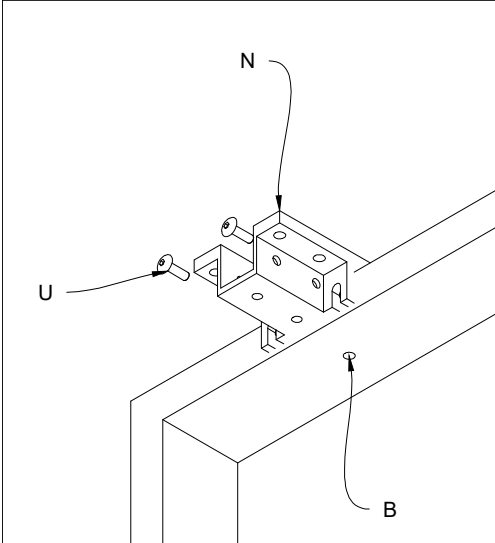


Fig.2 Fissare i bulloni (U e V) nell'elemento di giunzione (D) tramite dado (S) e rondella (Q).
Fig.2 Fasten the bolts (U and V) in the junction element (D) by means of the nut (S) and washer (Q).

10) Posizionare il piano (A) sopra la struttura.
10) Position the top (A) on top of the structure.

Fig.3 Fissare la struttura al piano (A) tramite i bulloni (U e Z) passando per i distanziali (N).
Fig.3 Fasten the structure to the top (A) by means of the bolts (U and Z) and spacers (N).

