

Ferramenta Componenti

Hardware Components

Maniglia (T) Handle (T)



n°4

Bullone da 4x25 (U) Bolt 4x25 (U)



n°8

Bullone da 6x28 (V) Bolt 6x20 (V)



n°4

Piedini regolabili diam.=35 (Z) Adjustable feet diam.=35 (Z)

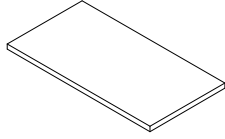


n°4

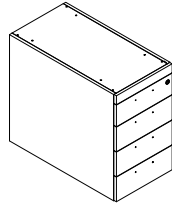
Chiave esagonale Hexagonal key



n°1



Top (A)
Top (A)



Cassettiera
(B)
Chest of
drawer (B)

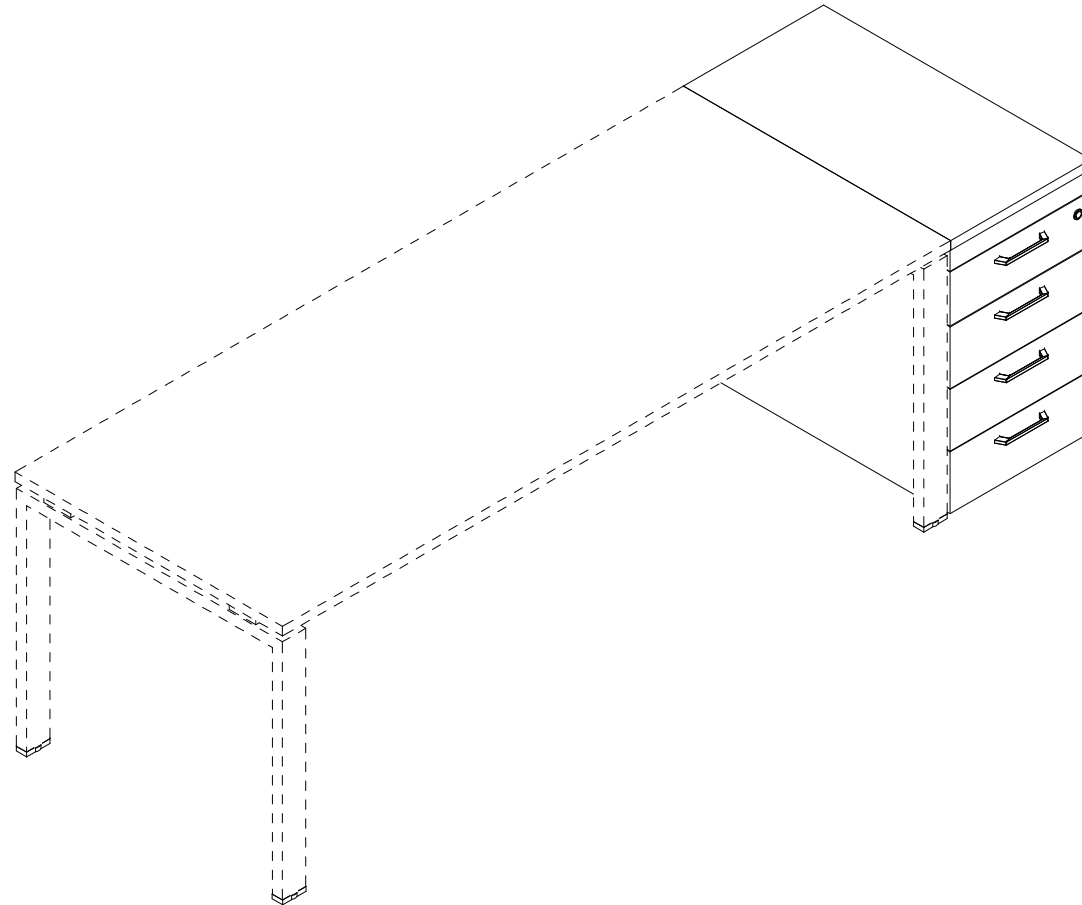


Fig.1 Inserimento del top (A) nella cassetteria (B) tramite i bulloni (V).
Fig.1 Insert the top (A) in the chest of drawers (B) by means of the bolts (V)

1) Inserire i piedini (Z) sotto la cassetteria (B).
1) Insert the feet (Z) under the chest of drawers (B)

2) Inserire il top (A) tramite i bulloni nella cassetteria (B).
2) Insert the top (A) in the chest of drawers (B) by means of the bolts.

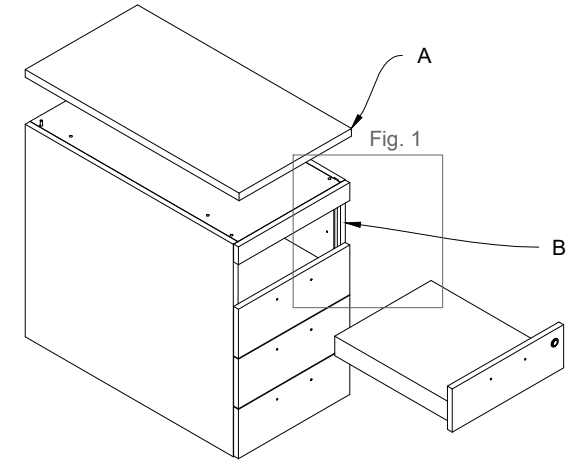
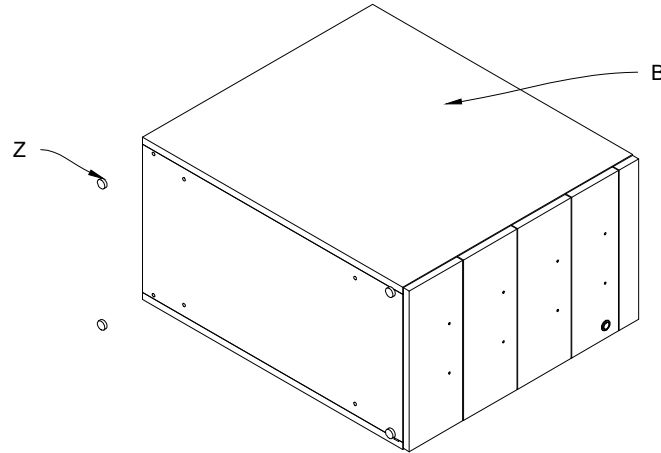
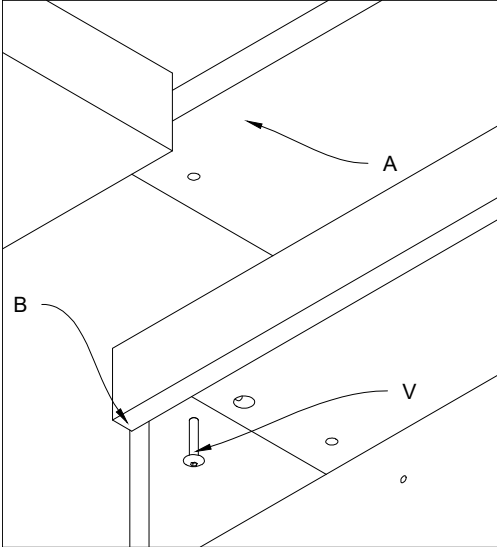


Fig.2 Inserimento delle maniglie (T) nella cassetteria (B) tramite i bulloni (U).
Fig.2 Insert the handles (T) in the chest of drawers (B) by means of the bolts (U)

3) Inserire le maniglie (T) nella cassetteria (B).
3) Insert the handles (T) in the chest of drawers (B)

4) Accostare la cassetteria (B) al piano desiderato.
4) Put the chest of drawers (B) next to the top

