


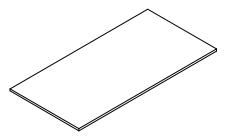
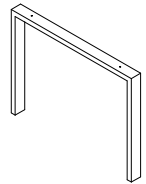
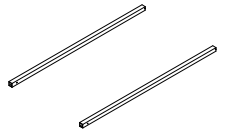
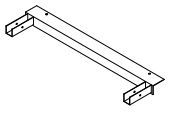

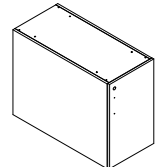
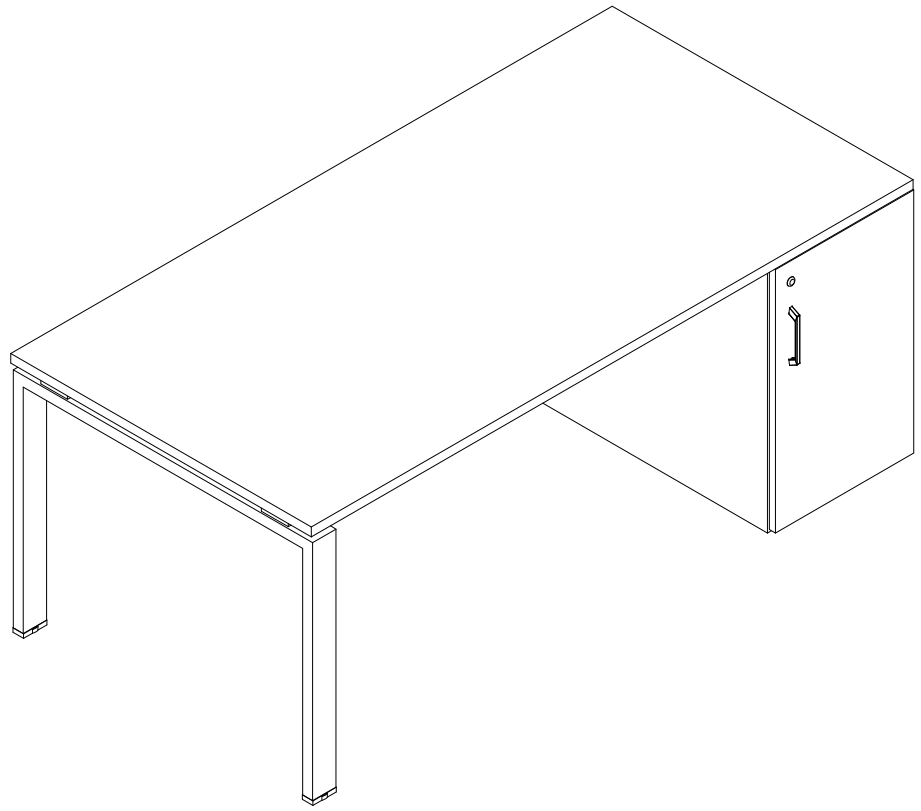





















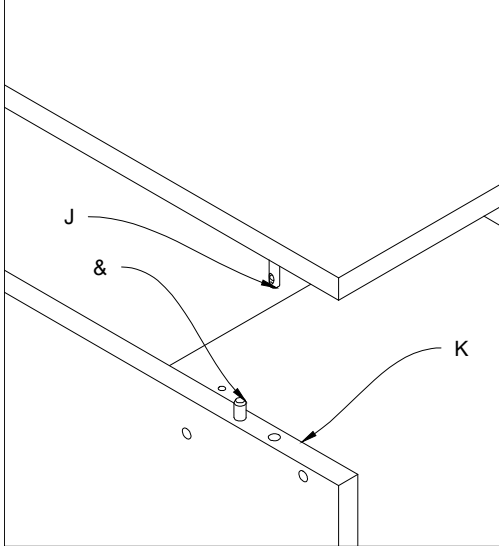
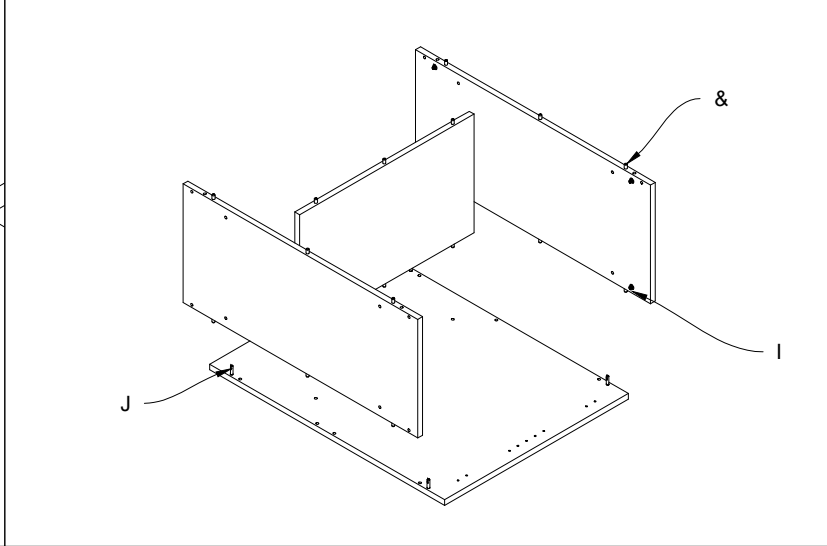
Ferramenta Hardware	Componenti Components															
Chiave esagonale Hexagonal key	n°1			Piano (A) Top (A)		Gamba (B) Leg (B)		Travi (C) Crossbars (C)		Elemento di giunzione (D) Junction element (D)						
Basetta (F) Hinge base (F)	n°2			Mobile con anta (E) Furniture unit with door (E)												
Cerniere (G) Hinges (G)	n°2															
Viti (H) Screws (H)	n°6		Piedini (P) Feet (P)	n°2								Bullone 6x60 (Z) Bolt 6x60 (Z)	n°2			
Bariotto 14x14 (I) Barrel 14x14 (I)	n°8		Rondella sp.16 (Q) Washer sp.16 (Q)	n°4								Spine 8x30 (&) Wooden pin 8x30 (&)	n°18			
Tirante 7x33.5 (J) Tie-rod 7x33.5 (J)	n°8		Dado 6 MA (S) Nut 6 MA (S)	n°4								Reggipiano (#) Shelf support (#)	n°4			
Grano 8x8(K) Threaded screw 8x8 (K)	n°8		Bullone 6x16 (T) Bolt 6x16 (T)	n°4								Serratura (@) Lock (@)	n°1			
Maniglia (L) Handle (L)	n°1		Bullone 6x20 (U) Bolt 6x20 (U)	n°12												
Bullone 4x25 (M) Bolt 4x25 (M)	n°2		Bullone 6x45 (V) Bolt 6x45 (V)	n°4												
Distanziale (N) Spacer (N)	n°2		Bullone 6x30 (X) Bolt 6x30 (X)	n°4												
Paracolpo (O) Strut (O)	n°4		Piedini diam. 25 (Y) Feet diam. 25 (Y)	n°4												

Fig.1 Unire fianco e base con spine (&), tiranti (J) e serrare i grani (K).
 Fig.1 Unite the side and base by means of the wooden pins (&), tie-rods (J) and tighten the threaded screws (K).



1) Posizionare un fianco a terra e inserire base, cappello e retro tramite le spine (&), i tiranti (J) e i barilotti (I).
 1) Position one side on the floor and insert the base, top and back panel by means of the wooden pins (&), tie-rods (J) and barrels (I).



2) Inserire i piedini (Y) nella base e il secondo fianco tramite le spine (&) e i tiranti (J).
 2) Insert the feet (Y) in the base and the second side by means of the wooden pins (&) and tie-rods (J).

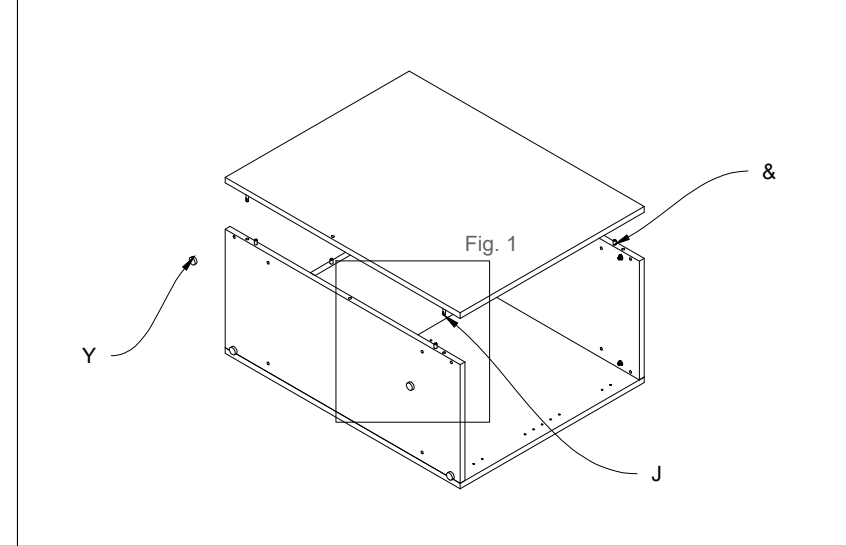
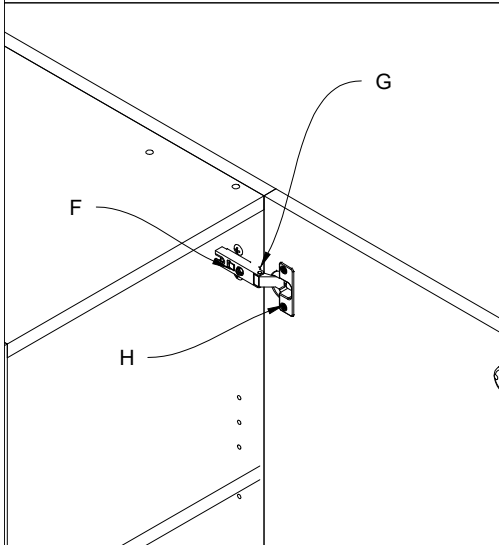
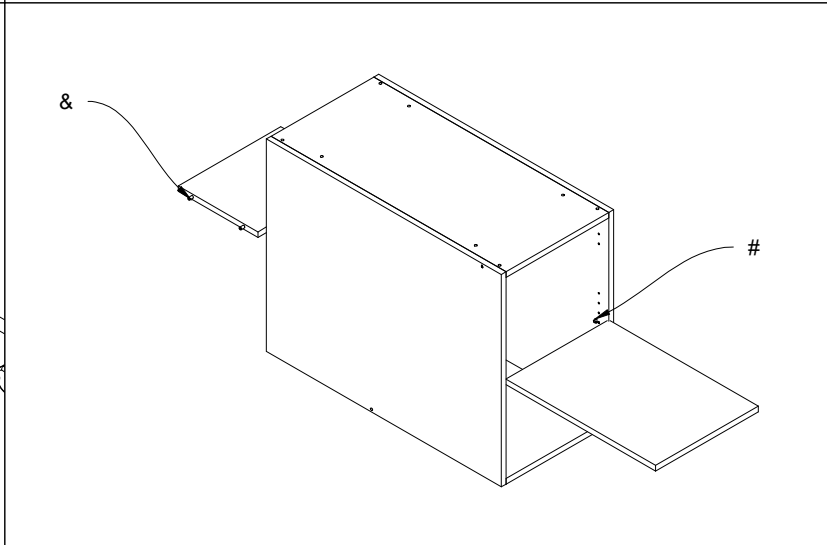


Fig.2 Fissare le cerniere (G) all'anta tramite le viti (H) e unirle alle basette (F).
 Fig.2 Fasten the hinges (G) to the door by means of the screws (H), unite them to the hinge bases (F).



3) Inserire il ripano posteriore con le spine (&) e quello anteriore con i reggipiani (#).
 3) Insert the back shelf by means of the wooden pins (&) and the front shelf by means of the shelf supports (#).



4) Fissare l'anta tramite le basette (F) e le cerniere (G) e inserire la maniglia (L) e la serratura (@) tramite i bulloni (M).
 4) Fasten the door by means of the hinge bases (F) and hinges (G), insert the handle (L) and lock (@) by means of the bolts (M).

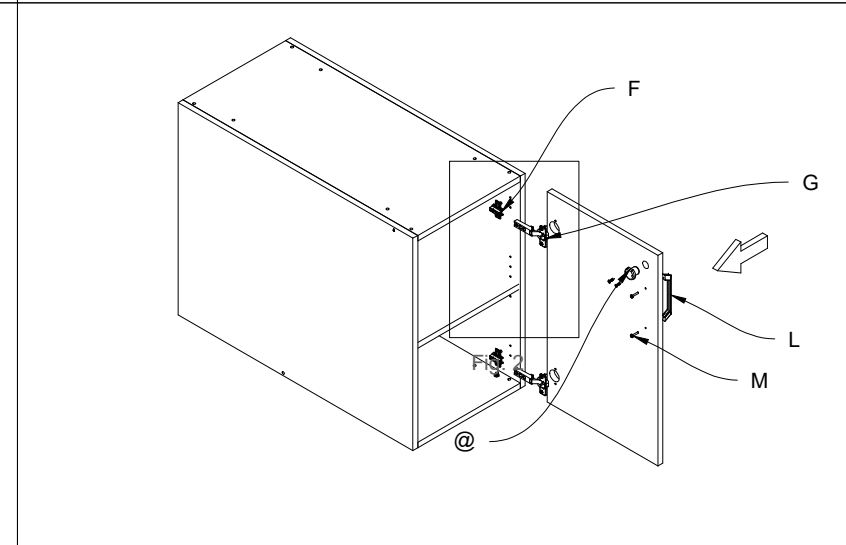


Fig.1 Fissare i distanziali (N) nella gamba (B) tramite i bulloni (U)
Fig.1 Fasten the spacers (N) in the leg (B) by means of the bolts (U)

5) Unire l'elemento di giunzione (D) al mobile (E) tramite i bulloni (X).
5) Unite the junction element (D) to the furniture unit (E) by means of the bolts (X)

6) Posizionare i distanziali (N) e i piedini (P), nelle gambe (B)
6) Position the spacers (N) and the feet (P) in the legs (B)

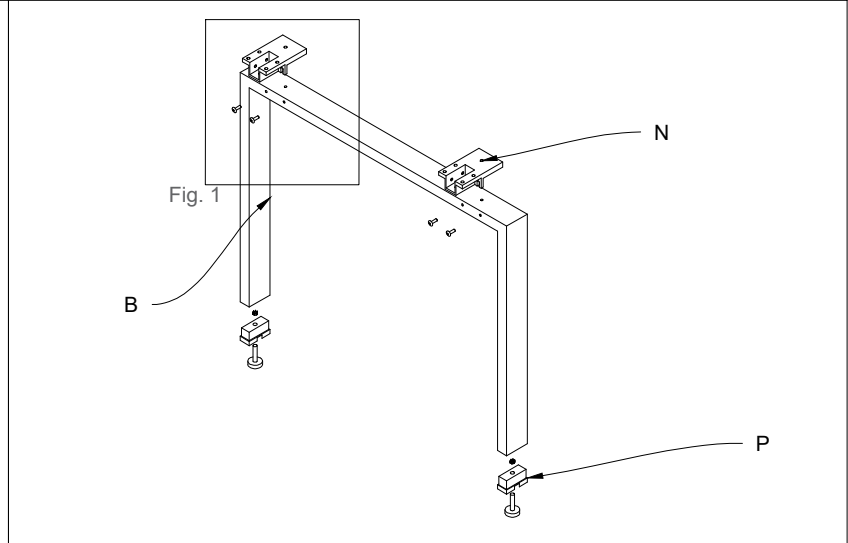
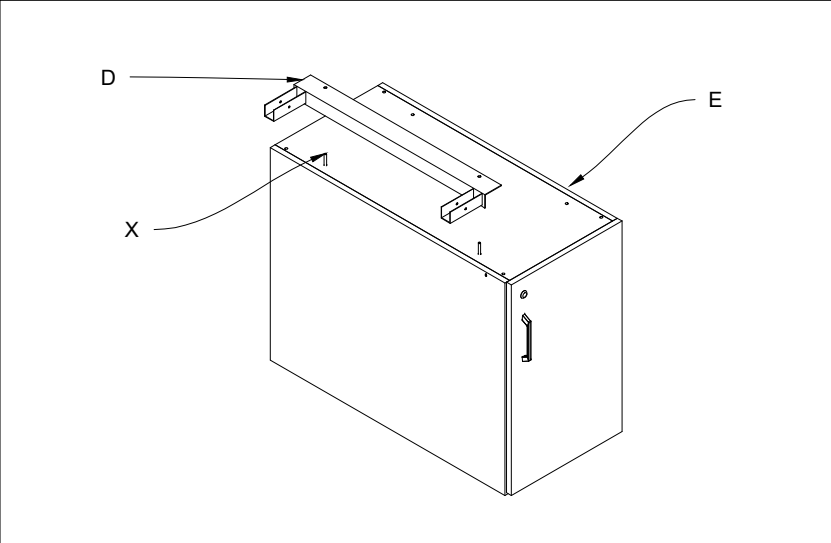
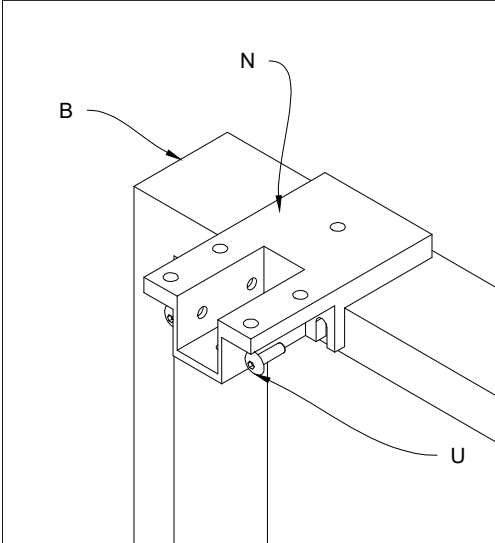


Fig.2 Fissare i bulloni (U e V) nell'elemento di giunzione (D) tramite dado (S) e rondella (Q).
Fig.2 Fasten the bolts (U and V) in the junction element (D) by means of the nut (S) and washer (Q)

7) Unire le travi (C) con il mobile (E) la gamba (B) tramite i distanziali (N) e l'elemento di giunzione (D) e inserire i paracolpi (O).
7) Unite the crossbars (C) with the furniture unit (E) to the leg (B) by means of the spacers (N) and the junction element (D), insert the struts (O)

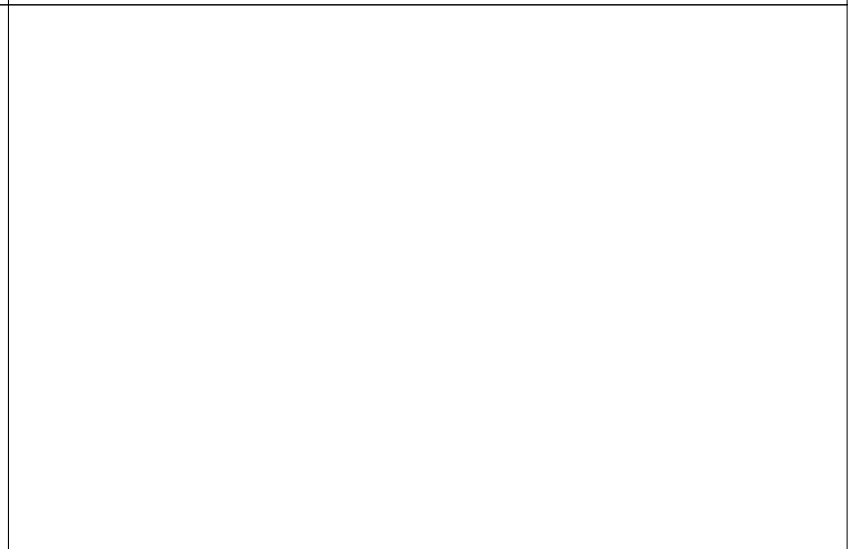
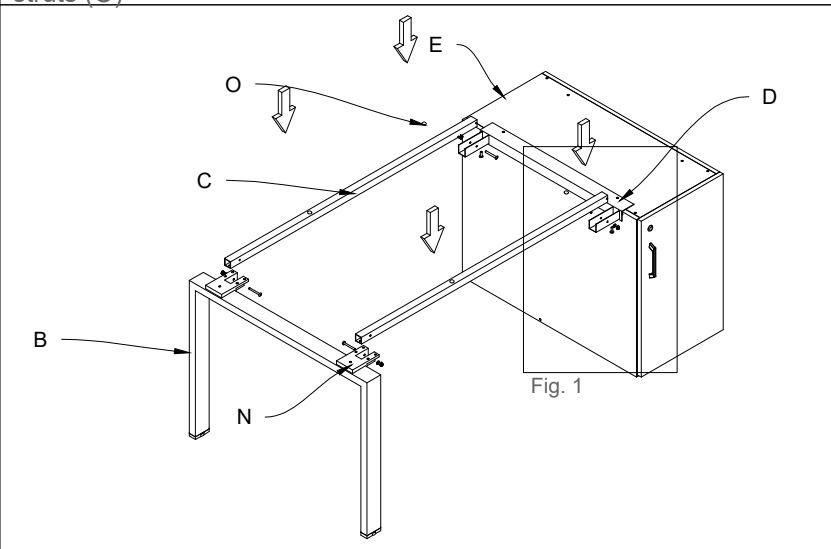
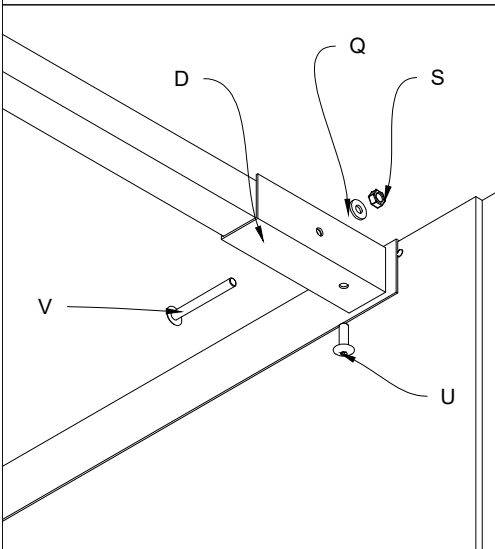


Fig.1 Fissare i bulloni (U e Z) nei distanziali (N) con il piano (A) e la struttura.

Fig.1 Fasten the bolts (U and Z) to the spacers (N) in the top (A) and structure.

8) Posizionare il piano (A) sopra la struttura.

8) Position the top (A) on top of the structure

